



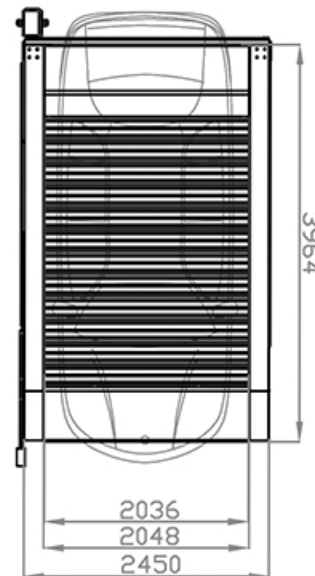
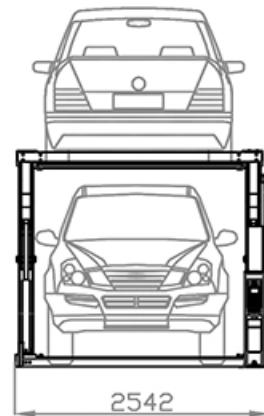
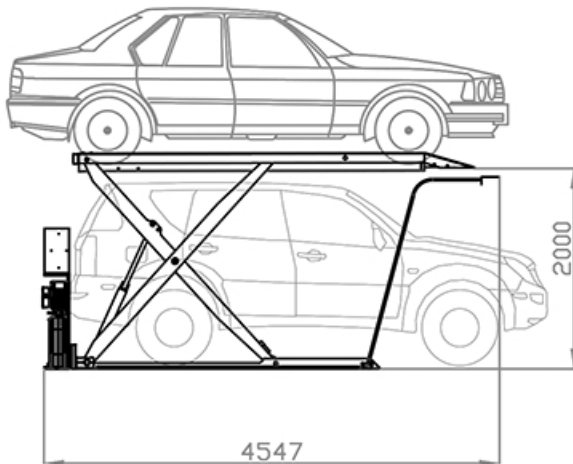
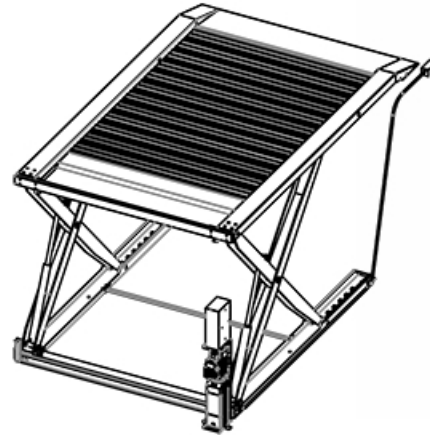
# AutoLift AL-5120

Scissor Parking Hoist

2000 Kg capacity

## Specification

- Vehicle Size: 5000 x 1850 x 1900mm
- Width overall: 2542 mm
- Length overall: 4547 mm
- Lifting height: 1950 mm
- Lifting capacity: 2000 kg
- Power: 240V/50Hz/1Ph (15 Amp)  
or 415V/50Hz/3Ph (20 Amp)
- Lifting / Lowering time: 50sec / 45sec
- Net weight: 1300 kg
- Gross weight: 1460 kg
- Packing Size: 5770 x 720 x 830mm



## Features

- Space saving design for lower height ceilings.
- Cylinders incorporated in the posts.
- Scissor construction for ease of installation.
- Dynamic locking system with emergency stop, safety brake ladder system and overload protection.
- Electromagnetic lock release.
- Key operated switch with low voltage controls.
- Powder Coated frame with galvanised anti-slip wave plate platform.