



AutoLift AL-6000S2

Extra Heavy Duty Hydraulic Vehicle Hoist

6000 Kg capacity

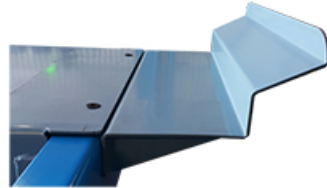
Four Post Hoist with Air Locks

Complete with 2 Jacking Beams

Specification

- Height overall: 2170 mm
- Width overall: 3617 mm
- Length overall: 7150 mm
- Lifting height: 230~1705 mm
- Lifting capacity: 6000 kg
- Power: Power: 240V/50Hz/1Ph (15 Amp) or 415V/50Hz/3Ph (20 Amp)
- Net weight: 1300 kg
- Gross weight: 1460 kg
- Packing Size: 5770*720*830mm
Carton & Jacks: 1000 x 630 x 1300mm

Bonus Inclusions:



Front Wheel Stops



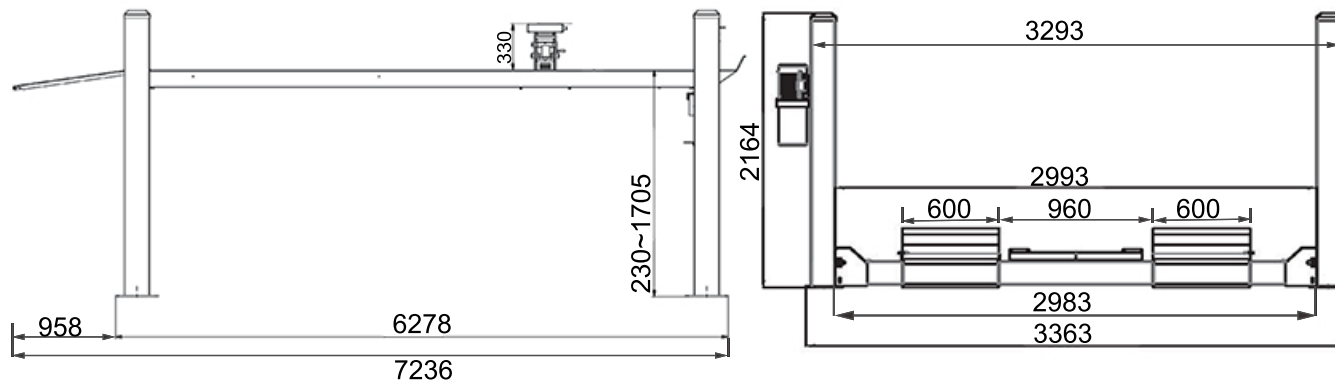
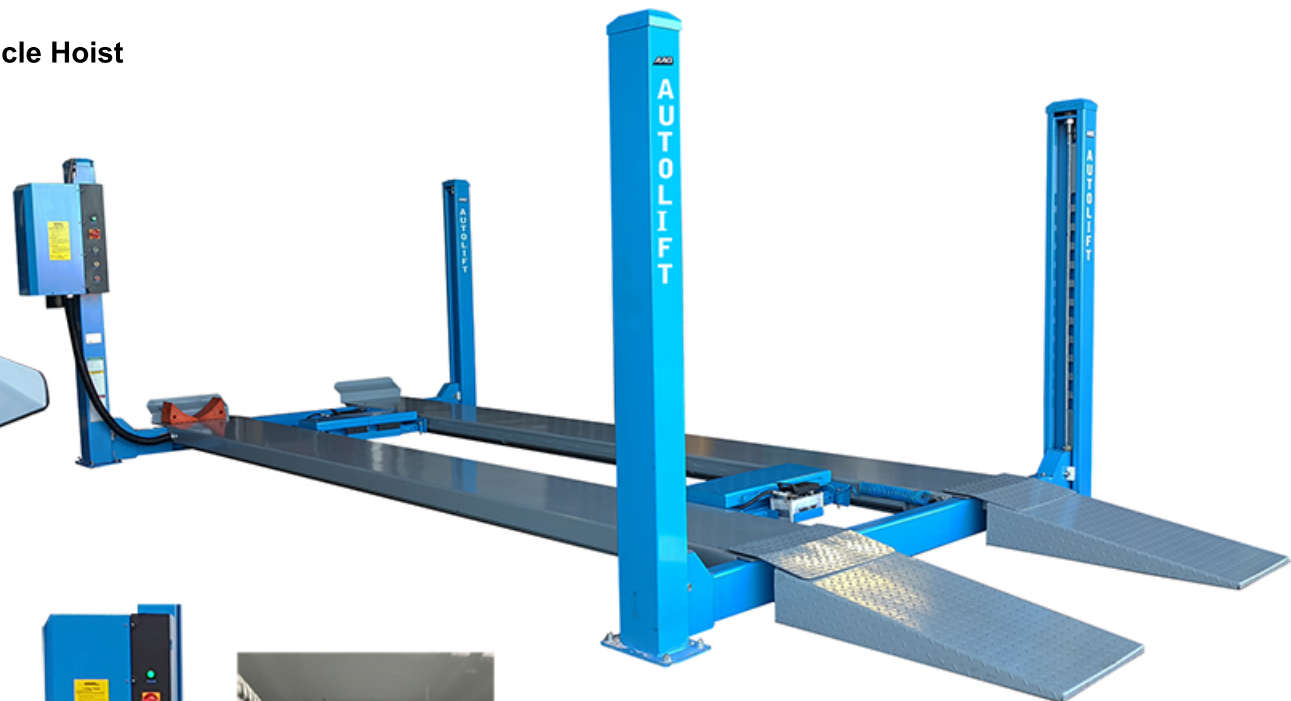
Complete with Heavy Duty Jacking Beams



Fully Enclosed Power Unit



Heavy Duty Cable Pulleys



Features

- WorkSafe Design Registered
- Extra Heavy Duty construction.
- Extra wide between columns.
- Extra long rollers on run up ramps.
- Top column cover caps.
- Fully enclosed power unit.
- Air operated jacking beams.
- Fully enclosed lifting cables and air safety locks.
- Multi position safety locks in each column.
- Single hydraulic cylinder mounted underneath runway.
- Complete with 2 x 3 tonne hydraulic jacking beams.